

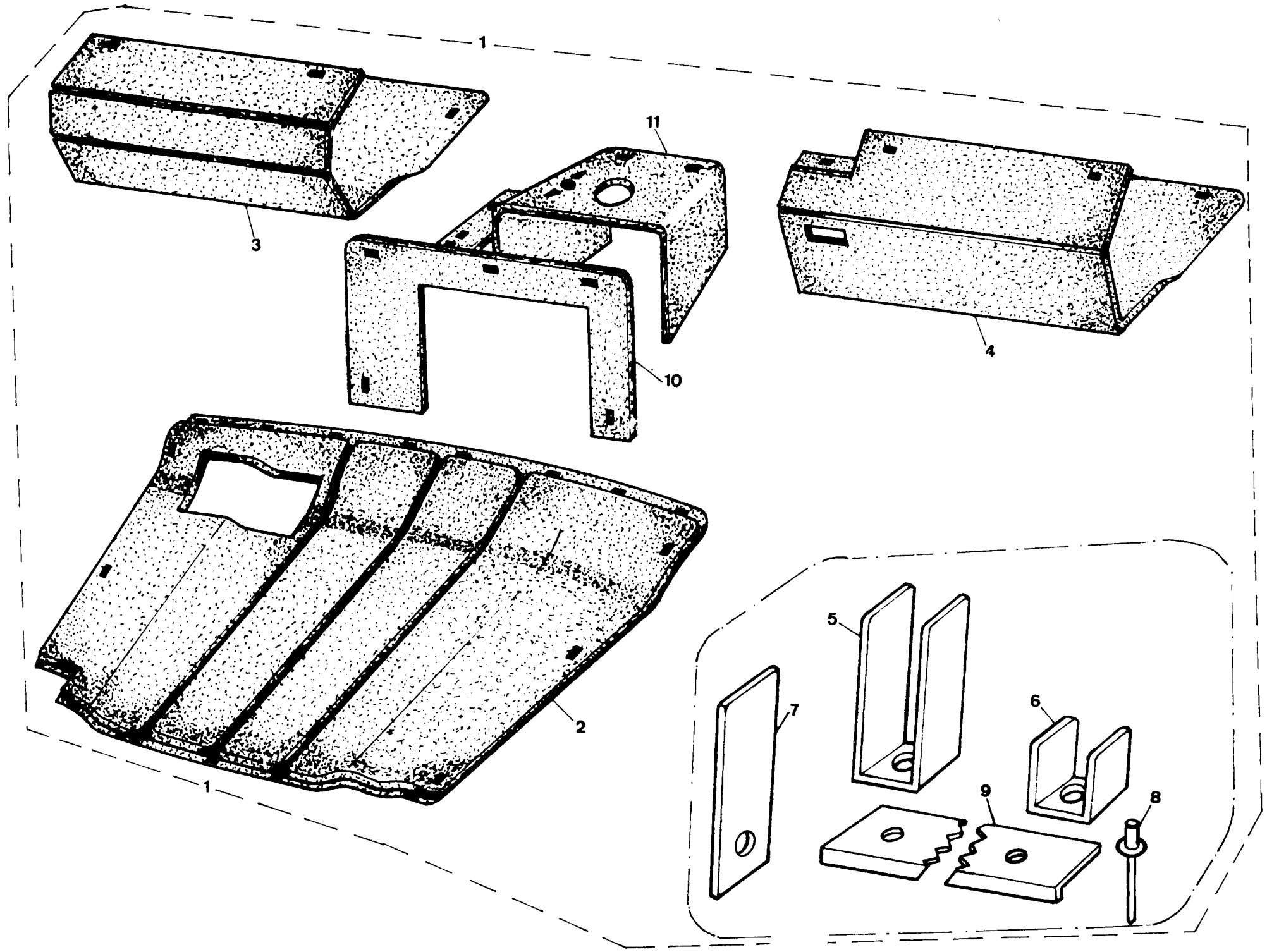
GRUPO 15 15 TAPICERIA

GROUP 15 15 TRIM

GROUP 15 15 GARNITURE

COMPOSICION.....COMPOSITION.....COMPOSICION

DENOMINACION	DESCRIPTION	DENOMINATION	HOJA PAGE PAGE
EQUIPO INSONORIZANTE	INSULATION EQUIPMENT	EQUIPEMENT ANTISONOR	439
TAPICERIA 88 LIG	TRIM 88 LIG	GARNITURE 88 LIG	440
TAPICERIA SUPER	TRIM SUPER	GARNITURE SUPER	441
TAPICERIA 1J9 ESP	TRIM 1J9 SPE	GARNITURE 1J9 SPE	442
TAPICERIA CAZORLA	TRIM CAZORLA	GARNITURE CAZORLA	443
TAPICERIA	TRIM	GARNITURE	444
ESTERILLAS	NATS	TAPIS	445
ASIENTO DOBLE	DOUBLE SEAT	DOUBLE SIEGE	446
ASIENTOS 88 LIG	SEATS 88 LIG	SIEGES 88 LIG	447
ASIENTOS SUPER CAZOR	SEATS SUPER CAZORLA	SIEGES SUPER CAZORLA	448
ASIENTOS LATERALES	SIDE SEATS	SIEGES LATERALES	450
ASIENTOS ESP SUP CAZ	SIDE SEA SPE SUP CAZ	SIEGES L SPE SUP CAZ	451
ASIENTOS LATER 88LIG	SIDE SEATS 88 LIG	SIEGES LATERA 88 LIG	452

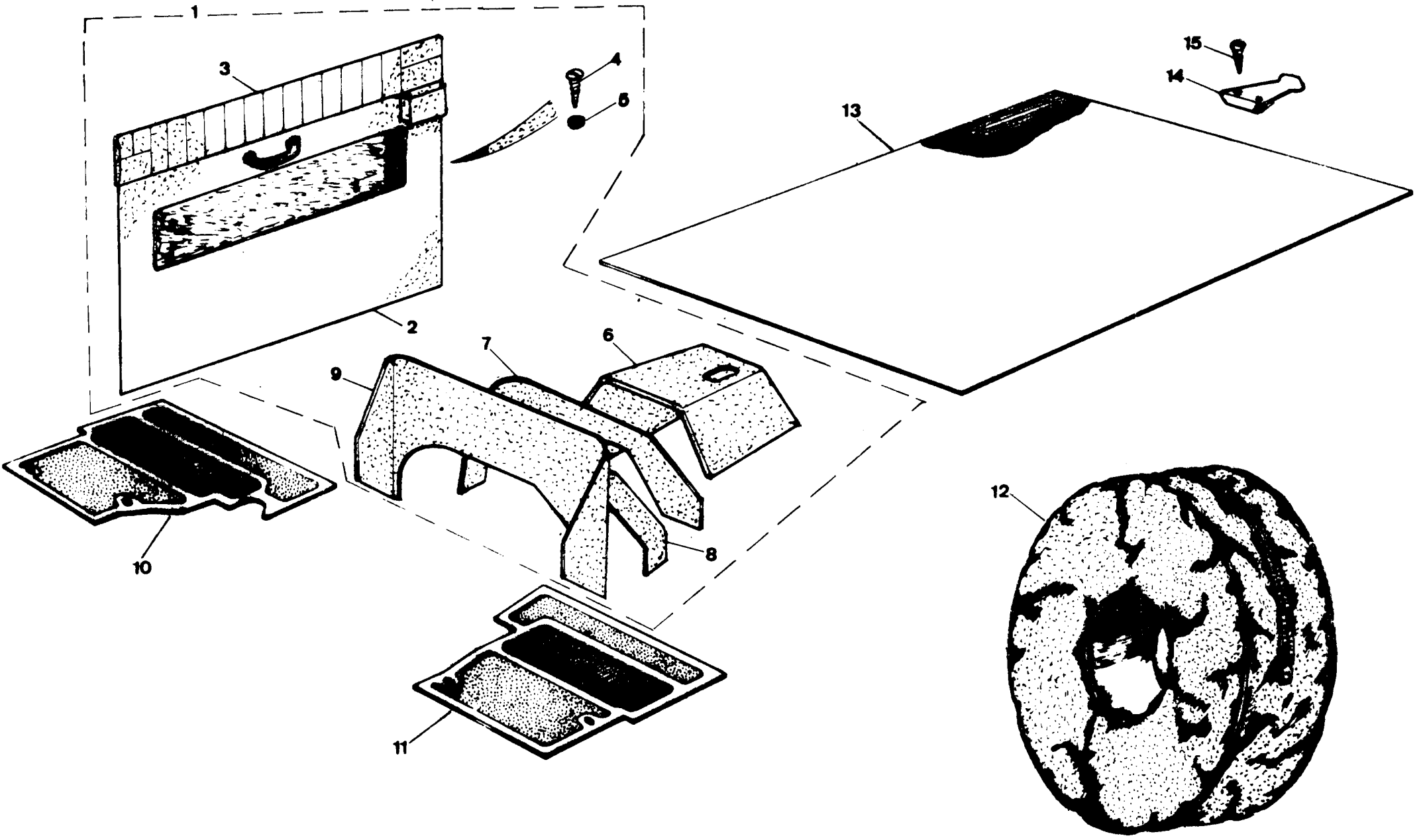


LICACION N 890013
 EDICION N 1

GRUPO=15 TAPICERIA
 GROUP=15 TRIM
 GROUPE=15 GARNITURE

SUBGRUPO=EQUIPO INSONORIZANTE
 SUBGROUP=INSULATION EQUIPMENT
 SUBGROUPE=EQUIPEMENT ANTISONOR

IG	N.PIEZA	CAN	DENOMINACION	DESCRIPTION	DENOMINATION	C H A S I S
TE	PARTNUMBER	QTY				
IG	N.PIECE	OUT				
1	194455	1	CONJ IN SUPER CC MSA	SOUNDP SUPER GB MSA	ENS INS SUPER BV MSA	
	194456	1	CONJ U SUPER CC 5 VEL	SOUNDP SUPER GB 5 SP	ENS IN SUPER BV 5 VI	
	194457	1	CONJ IN CAZOR CC MSA	SOUNDPR CAZOR GB MSA	ENS INS CAZOR BV MSA	
	194458	1	CONJ IN CAZO CC 5 VEL	SOUNDPR CAZO GB 5 SP	ENS INS CAZO BV 5 VI	
2	203767	1	PANEL CAPO	BONNET PANEL	PANNEAU CAPOT	
3	203749	1	PANEL PISO L D	FLOOR PANEL	PANNEAU PLANCHER	
4	203745	1	PANEL PISO L I	FLOOR PANEL	PANNEAU PLANCHER	
5	203769	19	GRAPA	ANGLE BRACE	HARPON	
6	203770	18	GRAPA	ANGLE BRACE	HARPON	
7	203768	6	GRAPA	ANGLE BRACE	HARPON	
8	78248	46	REMACHE	RIVET	RIVET	
9	203871	1	PLETINA	BAR	PLETINE	
10	203767	1	PANEL	PANEL	PANNEAU	
11	203737	1	PANEL CC 5 VEL	PANEL GB 5 SPEED	PANNEAU BV 5 VIT	
12	203776	1	PANEL CC MSA	PANEL GB MSA	PANNEAU BV MSA	

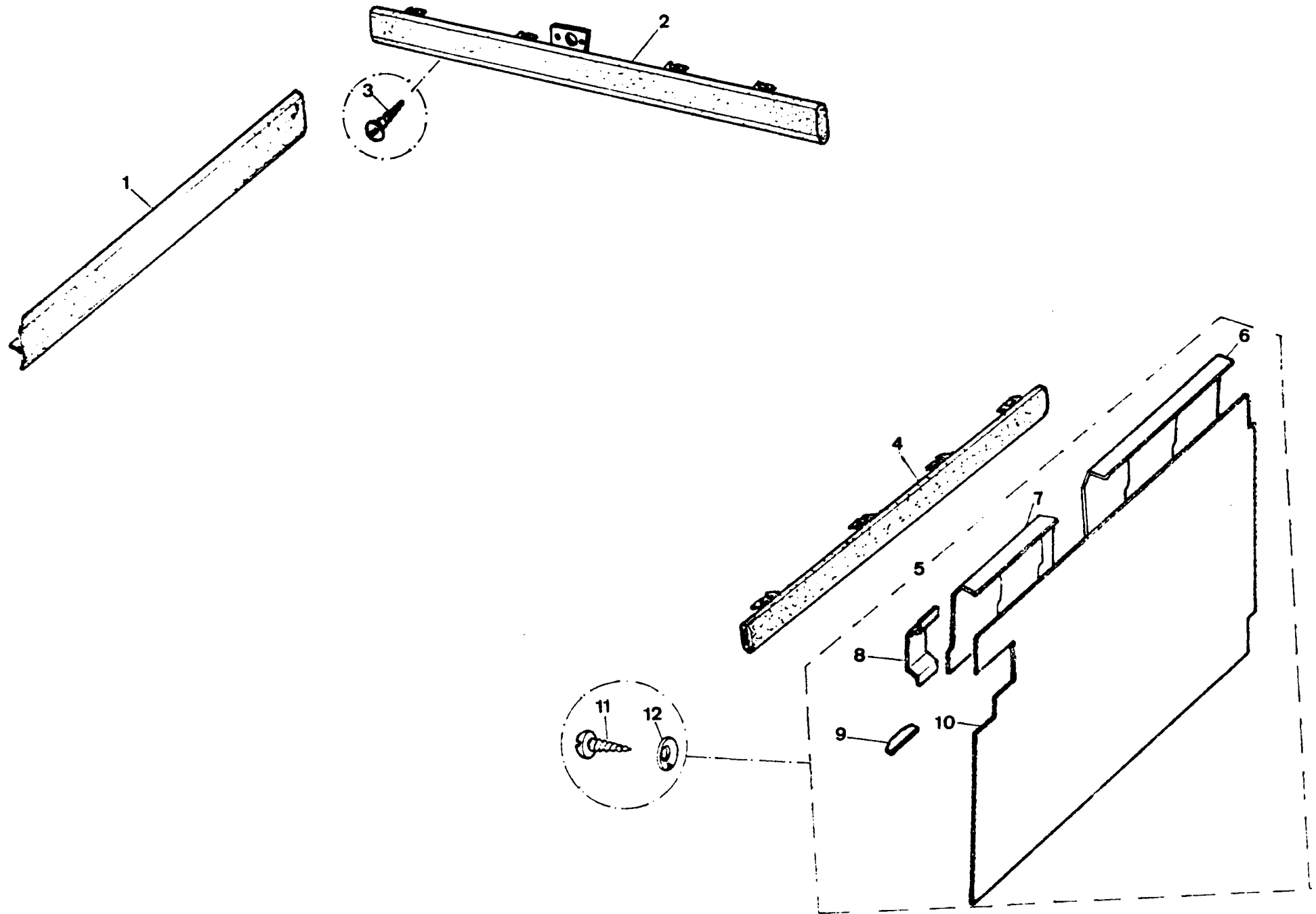


PUBLICACION N RPJ013
EDICION N 1

GRUPO=15 TAPICERIA
GROUP=15 TRIM
GROUPE=15 GARNITURE

SUBGRUPO=TAPICERIA 88 LIG
SUBGROUP=TRIM 88 LIG
SUBGROUPE=GARNITURE 88 LIG

N.FIG	N.PIEZA	CAN	DENOMINACION	DESCRIPTION	DENOMINATION	C H A S I S
PLATE	PARTNUMBER	QTY				
N.FIG	N.PIECE	OUT				
1	208502	1	CONJ TAPICERIA	TRIM ASSY	ENS GARNITURE	
2	207247	1	TAPICERIA L I	TRIM L H	GARNITURE C G	
	207248	1	TAPICERIA L D	TRIM R H	GARNITURE C D	
3	207253	2	TAPICERIA	TRIM	GARNITURE	
4	073849	38	TORNILLO	SCREW	VIS	
5	187405	38	ARANDELA	WASHER	RONDELLE	
6	159479	1	TAPICERIA	TRIM	GARNITURE	
7	201271	1	TAPICERIA	TRIM	GARNITURE	
8	201272	1	TAPICERIA	TRIM	GARNITURE	
9	202450	1	TAPICERIA	TRIM	GARNITURE	
10	156679	1	ESTERILLA LD	MATS R H	TAPIS C D	
11	156678	1	ESTERILLA L I	MATS L H	TAPIS C G	
12	162771	1	TAPICERIA	TRIM	GARNITURE	
13	156681	1	ESTERILLA	MAT	TAPIS	
14	355847	4	CLIP	CLIP	CLIP	
15	69311	8	TORNILLO	SCREW	VIS	

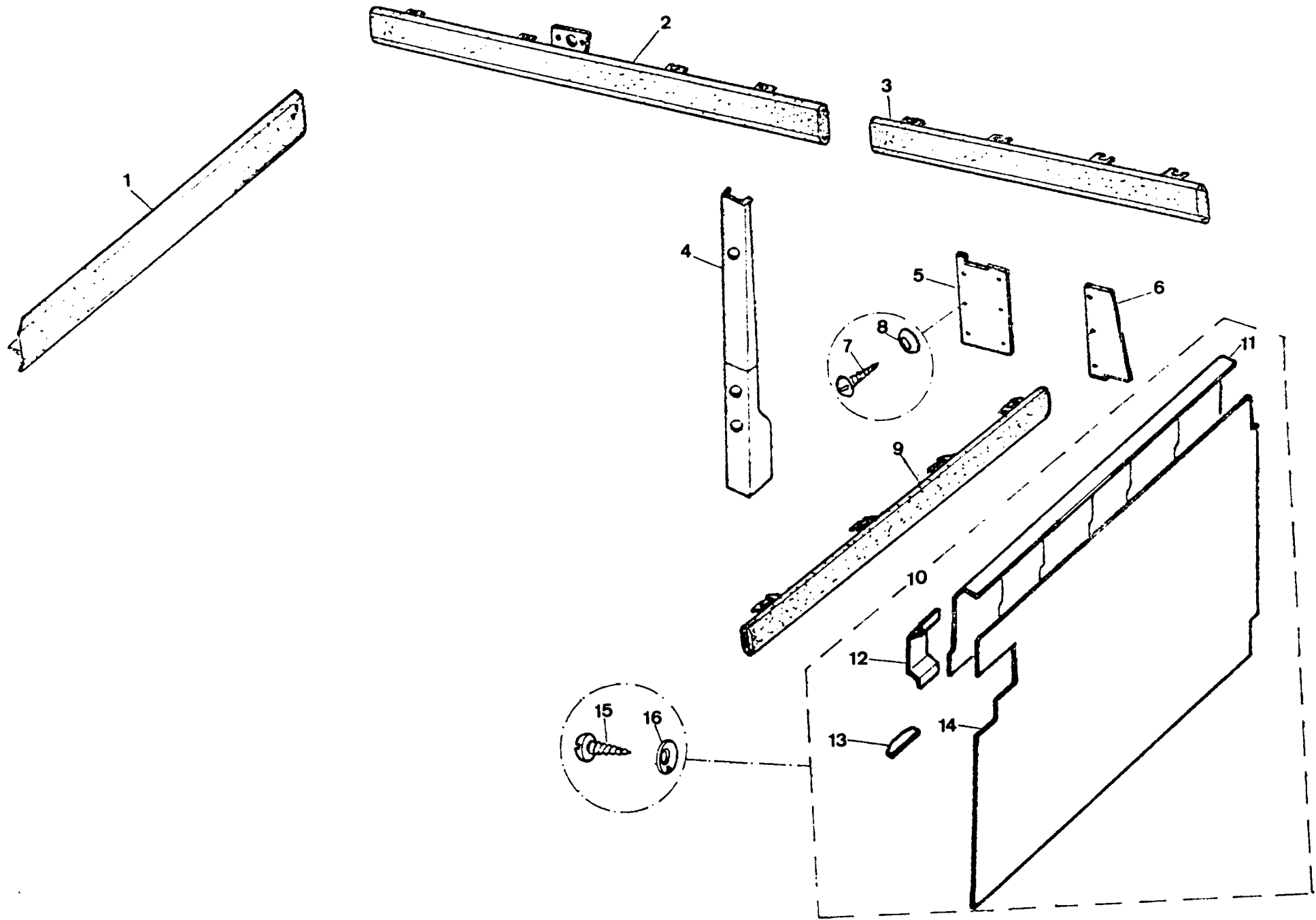


PUBLICACION N 890013
 EDICION N 1

GRUPO=15 TAPICERIA
 GRUPO=15 TRIM
 GROUPE=15 GARNITURE

SUBGRUPO=TAPICERIA SUPER
 SUBGROUP=TRIM SUPER
 SUBGROUPE=GARNITURE SUPER

N.FIG	N.PIEZA	CAN	DENOMINACION	DESCRIPTION	DENOMINATION	C H A S I S
PLATE	PARTNUMBER	QTY				
N.FIG	N.PIECE	OUT				
1	208541	1	TAPICERIA	TRIM	GARNITURE	
2	208542	1	TAPICERIA L I	TRIM L H	GARNITURE C G	
	208544	1	TAPICERIA L D	TRIM R H	GARNITURE C D	
3	78140	6	TORNILLO	SCREW	VIS	
4	208542	1	TAPICERIA	TRIM	GARNITURE	
5	209219	1	CONJ TAPICERIA	TRIM ASSY	ENS GARNITURE	
6	202546	1	TAPICERIA	TRIM	GARNITURE	
7	202545	1	TAPICERIA	TRIM	GARNITURE	
8	207697	1	TAPICERIA	TRIM	GARNITURE	
9	201270	1	TAPICERIA	TRIM	GARNITURE	
10	202426	1	TAPICERIA	TRIM	GARNITURE	
11	07384	10	TORNILLO	SCREW	VIS	
	189174	6	TORNILLO	SCREW	VIS	
12	187409	16	ARANDELA	WASHER	RONDELLE	

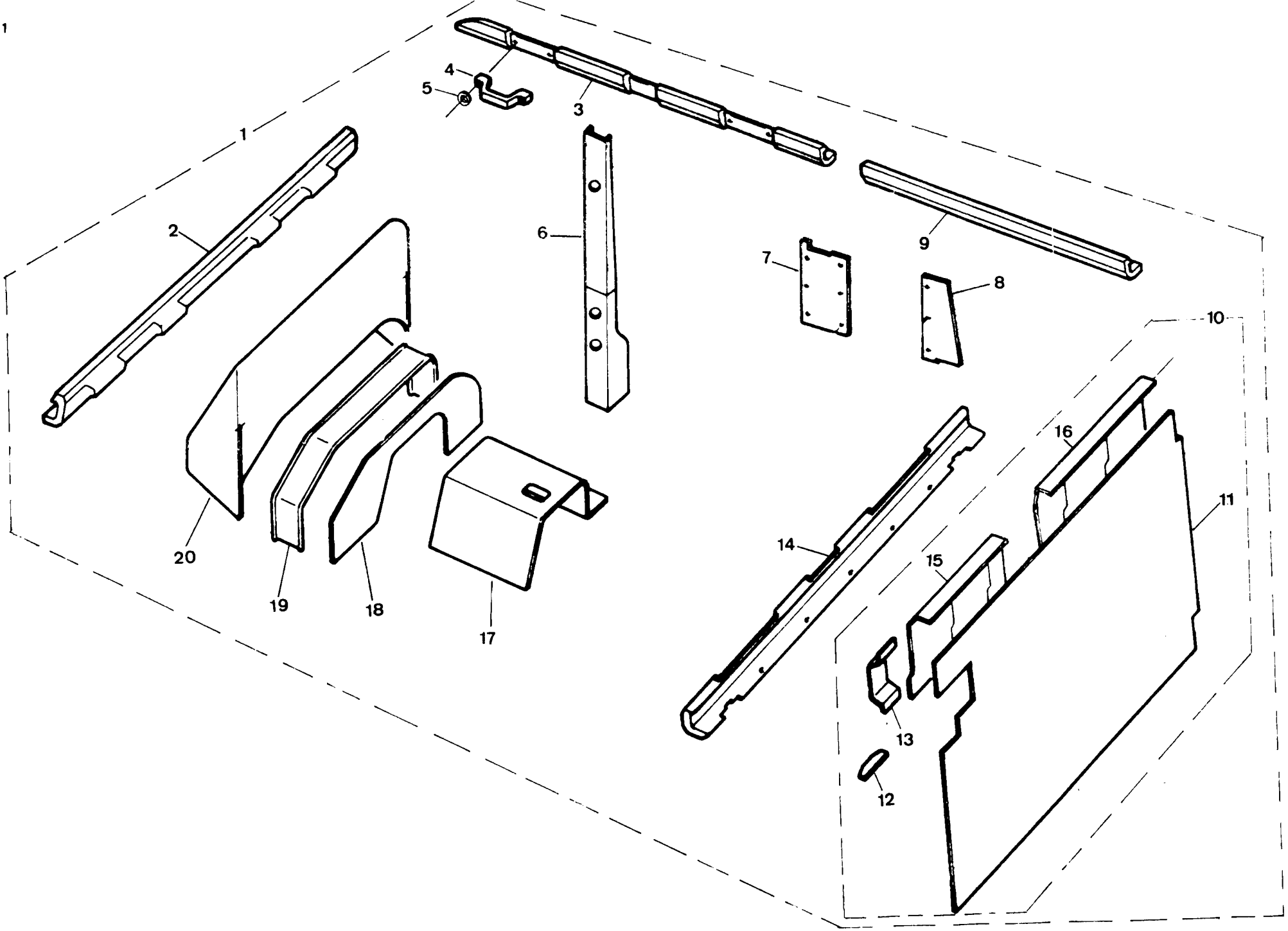


PUBLICACION N 880213
EDICION N 1

GRUPO=15 TAPICERIA
GROUP=15 TRIM
GROUPE=15 GARNITURE

SUBGRUPO=TAPICERIA 109 ESP
SUBGROUP=TRIM 109 SPE
SUBGROUPE=GARNITURE 109 SPE

N.FIG PLATE N.FIG	N.PIEZA PARTNUMBER N.PIECE	CAN QTY OUT	DENOMINACION	DESCRIPTION	DENOMINATION	C H A S I S
1	208541	1	TAPICERIA	TRIM	GARNITURE	
2	208545	1	TAPICERIA L I	TRIM L H	GARNITURE C G	
	208546	1	TAPICERIA L D	TRIM R H	GARNITURE C D	
3	208547	1	TAPICERIA L I	TRIM L H	GARNITURE C G	
	208548	1	TAPICERIA L D	TRIM R H	GARNITURE C D	
4	207913	1	TAPICERIA L I	TRIM L H	GARNITURE C G	
	207914	1	TAPICERIA L D	TRIM R H	GARNITURE C D	
5	154328	1	TAPICERIA L O	TRIM P H	GARNITURE C D	
	154329	1	TAPICERIA L I	TRIM L H	GARNITURE C G	
6	154330	1	TAPICERIA L D	TRIM R H	GARNITURE C D	
	154331	1	TAPICERIA L I	TRIM L H	GARNITURE C G	
7	77704	12	TORNILLO	SCREW	VIS	
8	187485	12	ARANDELA	WASHER	RONDELLE	
9	208541	1	TAPICERIA	TRIM	GARNITURE	
10	207996	1	CONJ TAPICERIA	TRIM ASSY	ENS GARNITURE	
11	207996	1	TAPICERIA	TRIM	GARNITURE	
12	207997	1	TAPICERIA	TRIM	GARNITURE	
13	001270	1	TAPICERIA	TRIM	GARNITURE	
14	159487	1	TAPICERIA	TRIM	GARNITURE	
15	073840	10	TORNILLO	SCREW	VIS	
	189174	6	TORNILLO	SCREW	VIS	
16	187485	16	ARANDELA	WASHER	RONDELLE	

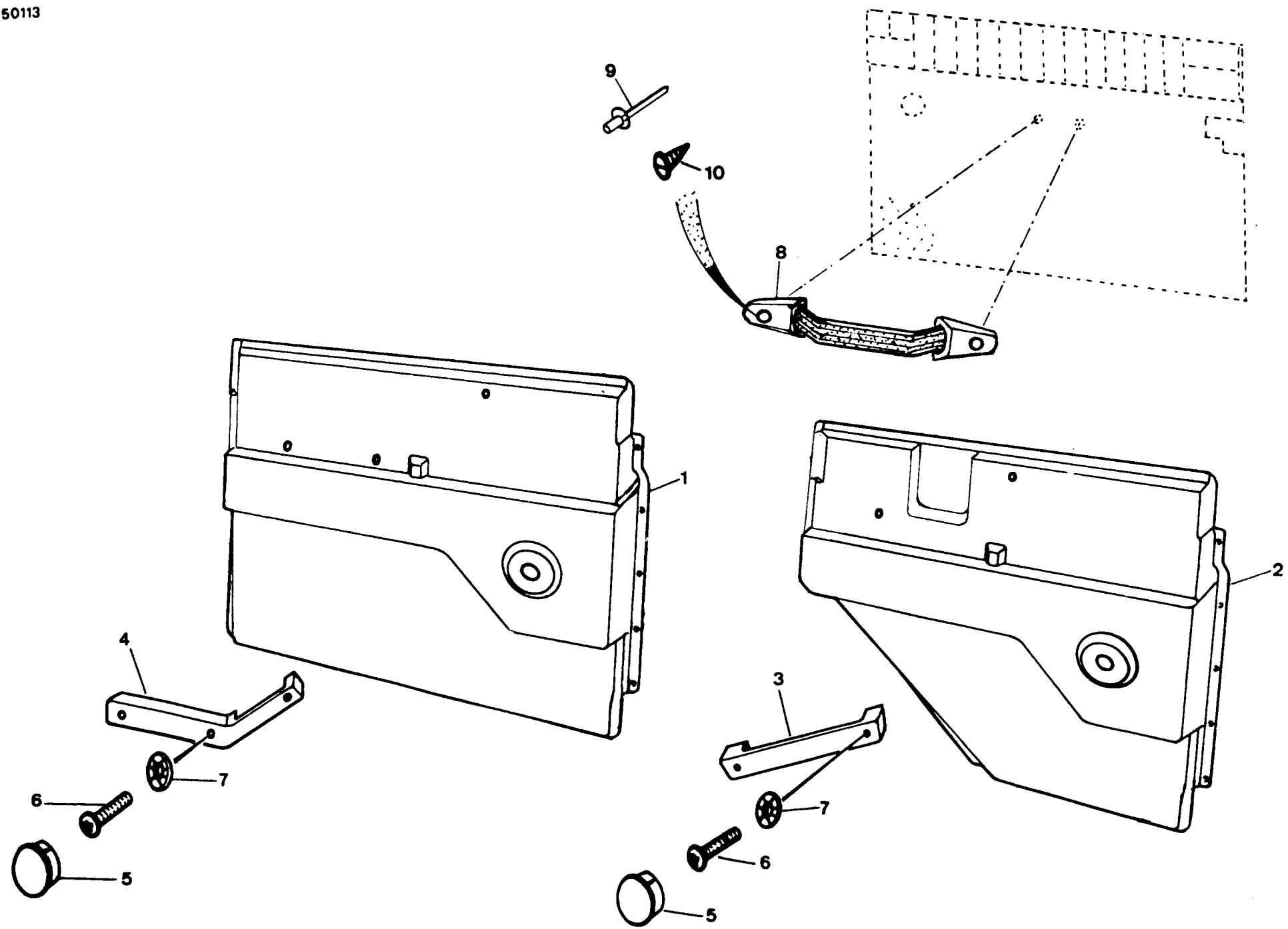


PUBLICACION N 980013
EDICION N 1

GRUPO=15 TAPICERIA
GROUP=15 TRIM
GROUPE=15 GARNITURE

SUBGRUPO=TAPICERIA CAZORLA
SUBGROUP=TRIM CAZORLA
SUBGROUPE=GARNITURE CAZORLA

N.FIG	N.PIEZA	CAN	DENOMINACION	DESCRIPTION	DENOMINATION	C H A S I S
PLATE	PARTNUMBER	QTY				
N.FIG	N.PIECE	OUT				
1	209218	1	CONJ TAPICER CAZORLA	TRIM ASSY CAZORLA	ENS GARNITURÉ CAZORL	
2	207959	1	TAPICERIA	TRIM	GARNITURE	
3	207947	1	TAPICERIA L I	TRIM L H	GARNITURE C G	
	207948	1	TAPICERIA L D	TRIM R H	GARNITURE C D	
4	201439	5	ASIDERO	HANDLE	NARCHE	
5	3900	10	ARANDELA	WASHER	RONDELLE	
6	207913	1	TAPICERIA L I	TRM L H	GARNITURE C G	
	207914	1	TAPICERIA L D	TRIM R H	GARNITURE C D	
7	154328	1	TAPICERIA L D	TRIM R H	GARNITURE C D	
	154329	1	TAPICERIA L I	TRIM L H	GARNITURE C G	
8	207915	1	TAPICERIA L I	TRIM L H	GARNITURE C G	
	207916	1	TAPICERIA L D	TRIM P H	GARNITURE C D	
9	208419	1	TAPICERIA L I	TRIM L H	FORNITURE C G	
	208420	1	TAPICERIA L D	TRIM R H	FORNITURE C D	
10	209219	1	CONS TAPICERIA	TRIM ASSY	ENSEMBLE FORNITURE	
11	159487	1	TAPICERIA	TRIM	FORNITURE	
	202406	1	TAPICERIA LIMPIAPARA	TRIM WINDSCREEN #IP	FORNITURE ESSUIE GL	
12	201270	1	TAPICERIA	TRIM	FORNITURE	
13	207897	1	TAPICERIA	TRIM	FORNITURE	
14	207952	1	TAPICERIA	TRIM	FORNITURE	
15	202545	1	TAPICERIA L I	TRIM L M	FORNITURE CG	
16	202546	1	TAPICERIA L D	TRIM R H	FORNITURE C D	
17	202161	1	TAPICERIA	TRIM	FORNITURE	
18	201532	1	TAPICERIA	TRIM	FORNITURE	
19	201272	1	TAPICERIA	TRIM	FORNITURE	
20	201531	1	TAPICERIA	TRIM	FORNITURE	

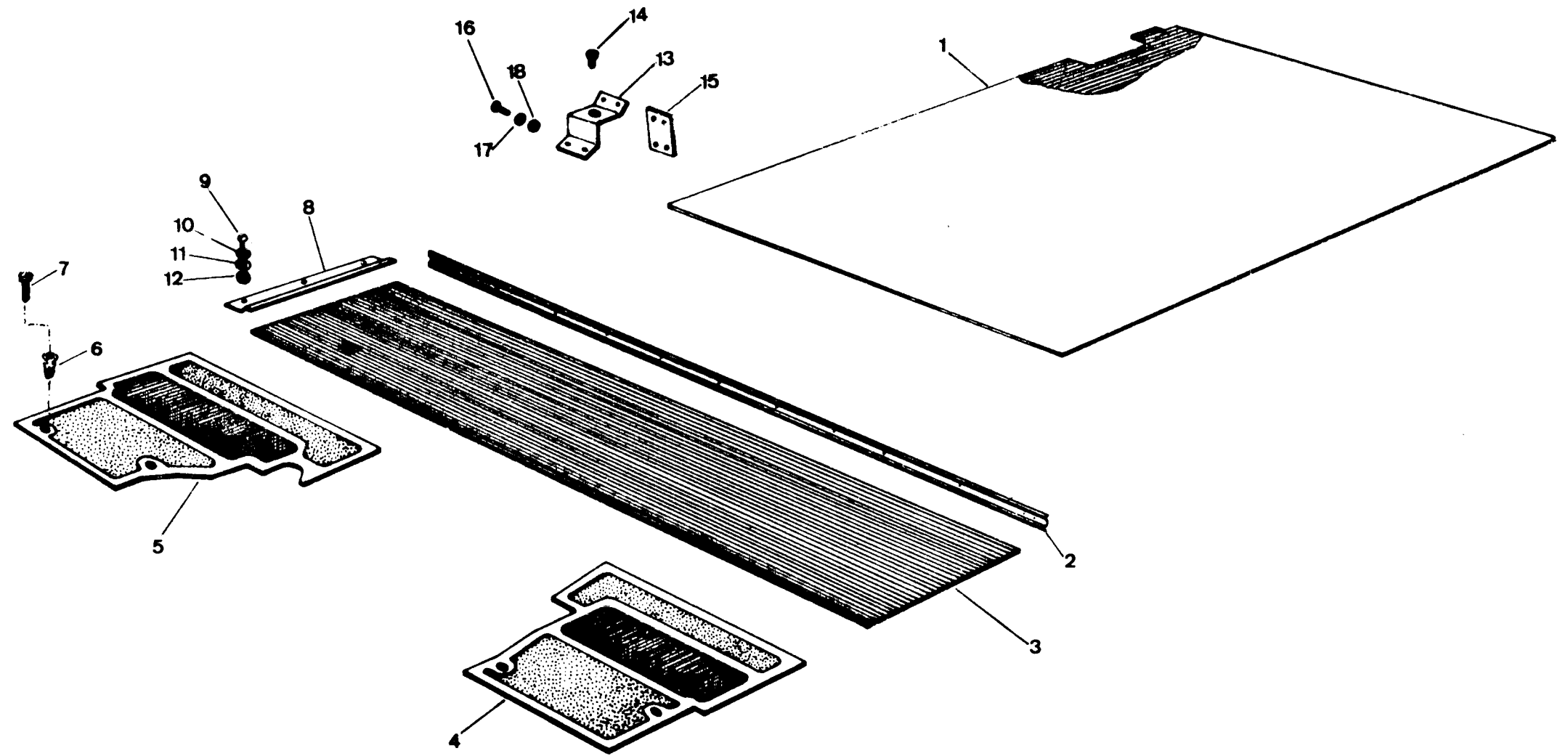


PUBLICACION N 880013
EDICION N 1

GRUPO=15 TAPICERIA
GROUP=15 TRIM
GROUPE=15 GARNITURE

SUBGRUPO=TAPICERIA
SUBGROUP=TRIM
SUBGROUPE=GARNITURE

N.FIG	N.PIEZA	CAN	DENOMINACION	DESCRIPTION	DENOMINATION	C H A S I S
PLATE	PARTNUMBER	QTY				
N.FIG	N.PIECE	OUT				
1	203321	1	TAPICERIA L I	TRIM L H	GARNITURE C G	
	203322	1	TAPICERIA L D	TRIM R H	GARNITURE C D	
2	203323	1	TAPICERIA L I	TRIM L H	GARNITURE C G	
	203324	1	TAPICERIA L D	TRIM R H	GARNITURE C D	
3	201423	2	ASIDERO	HANDLE	MARCHE	
4	201249	1	ASIDERO L I	HANDLE L H	MARCHE C G	
	201250	1	ASIDERO L D	HANDLE R H	MARCHE C D	
5	348947	10	TAPON	PLUG	BOUCHON	
6	78709	10	TORNILLO	SCREW	VIS	
7	7888481	10	ARANDELA	WASHER	RONDELLE	
8	154327	1	ASIDERO	HANDLE	MARCHE	
9	183209	2	REMACHE	RIVET	RIVET	
10	78944	2	TORNILLO	SCREW	VIS	



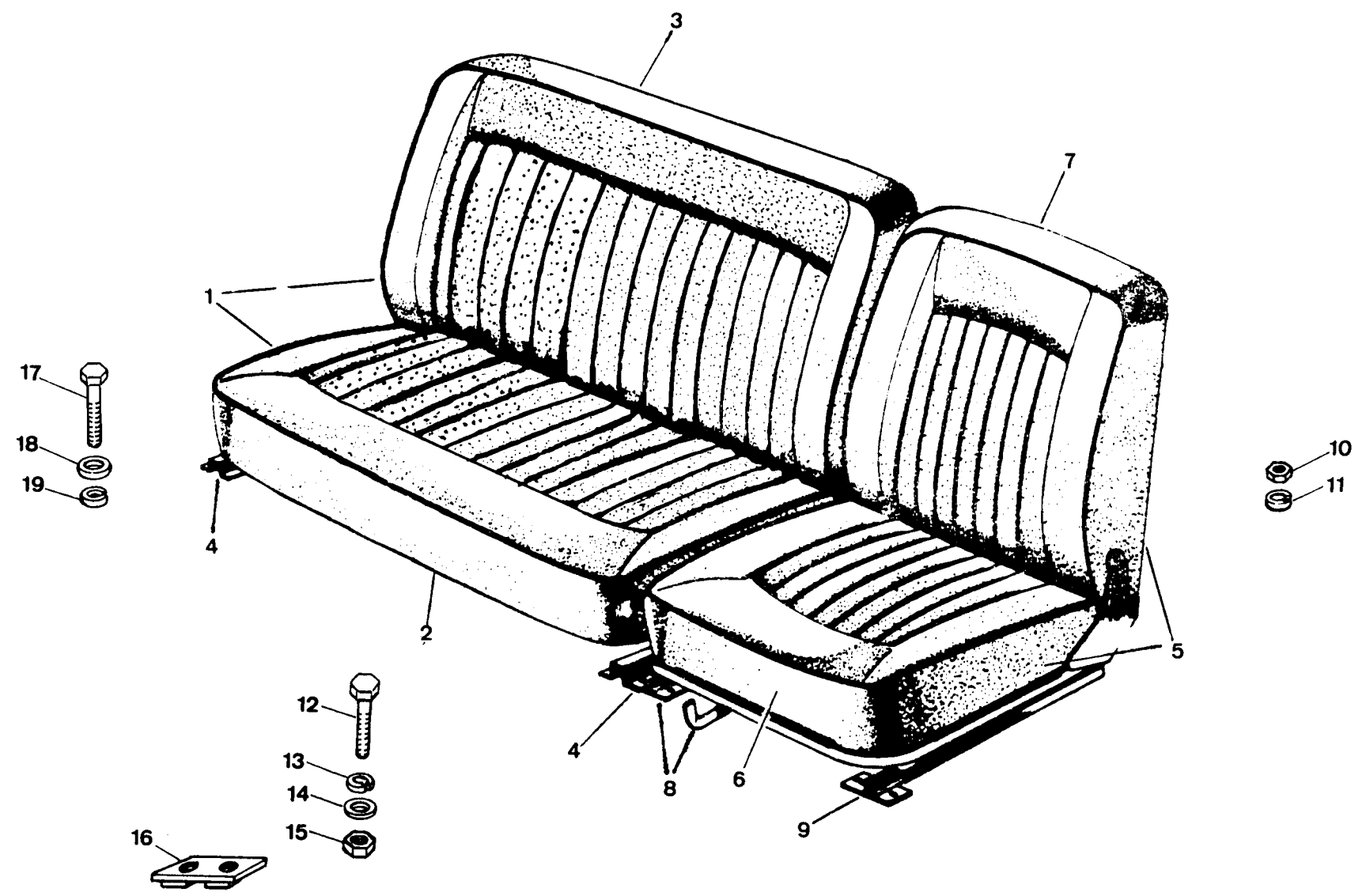
PUBLICACION N 890013
EDICION N 1

GRUPO=15 TAPICERIA
GROUP=15 TRIM
GROUPE=15 GARNITURE

SUBGRUPO=ESTERILLAS
SUBGROUP=NATS
SUBGROUPE=TAPIS

N.FIG PLATE N.FIG	N.PIEZA PARTNUMBER N.PIECE	CAN QTY OUT	DENOMINACION	DESCRIPTION	DENOMINATION	C H A S I S
1	170947	1	ESTERILLA 109	MATS 109	TAPIS 109	
	201815	1	ESTERILLA CAZORLA	MATS CAZORLA	TAPIS CAZORLA	
	331401	1	ESTERILLA 88 Y SUPER	MATS 88 AND SUPER	TAPIS 88 FT SUPER	
	331877	1	ESTERILLA 109 SUPER	MATS 109 SUPER	TAPIS 109 SUPER	
2	396940K1	1	PERFIL	ANGLE	PROFIL	
3	331481E1	1	ESTERILLA	MATS	TAPIS	
4	202934	1	ESTE 109 ESP Y CAZOR	MATS 109 SPE AND CAZ	TAPIS 109 SPE ET CAZ	
	203725	1	ESTERILLA L I	MATS L H	TAPIS C G	
5	202921	1	ESTE 109 ESP Y CAZOR	MATS 109 SPE AND CAZ	TAPIS 109 SPE ET CAZ	
	203726	1	ESTERILLA L D	MATS R H	TAPIS C D	
6	350847	4	CLIP	CLIP	CLIP	
7	69310	8	TORNILLO	SCREW	VIS	
8	33148	2	PERFIL	ANGLE	PROFIL	
9	78210	6	TORNILLO	SCREW	VIS	
10	3074	6	ARANDELA	WASHER	RONDELLE	
11	3075	6	ARANDELA	WASHER	RONDELLE	
12	181104	6	TUERCA	NUT	ECROU	
13	155085	2	SOPORTE	SUPPORT	SUPPORT	
14	301347	4	GOMA	RUBBER	CAOUTCHOUC	
15	155086	2	PLACA	PLATE	PLAQUE	
16	207121	8	TORNILLO	SCREW	VIS	
17	054959	8	ARANDELA	WASHER	RONDELLE	
18	180104	8	TUERCA	NUT	ECROU	

150204
150205

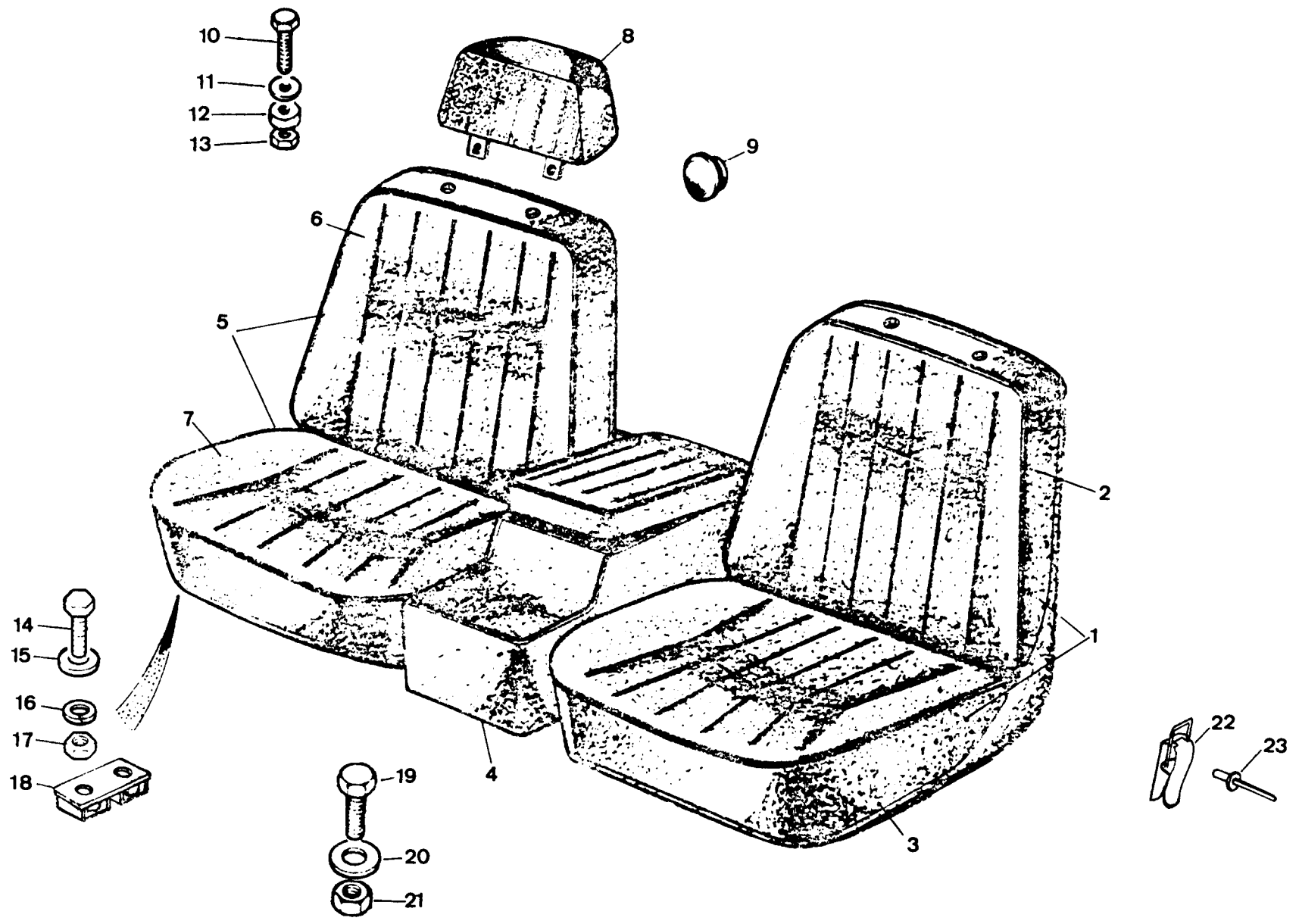


PUBLICACION N 980013
EDICION N 1

GRUPO=15 TAPICERIA
GROUP=15 TRIM
GROUPE=15 GARNITURE

SUBGRUPO=ASIENTO DOBLE
SUBGROUP=DOUBLE SEAT
SUBGROUPE=DOUBLE SIEGE

N.FIG PLATE N.FIG	N.PIEZA PARTNUMBER N.PIECE	CAN QTY OUT	DENOMINACION	DESCRIPTION	DENOMINATION	C H A S I S
1	208049	1	ASIENTO DOBLE SKY	DOUBLE SEAT SKY	SIEGE DOUBLE SKY	
	209795	1	ASIENTO DOBLE TEJIDO	DOUBLE SEAT FABRIC	SIEGE DOUBLE TISSUE	
2	203084	1	ASIENTO TEJIDO	SEAT FABRIC	SIEGE TISSUE	
	208723	1	ASIENTO SKY	SEAT SKY	SIEGE SKY	
3	203385	1	RESPALDO TEJIDO	BACK FABRIC	DOSSIER TISSUE	
	208724	1	RESPALDO SKY	BACK SKY	DOSSIER SKY	
4	208040	2	GUIA	SUPPORT	SUPPORT	
5	202046	1	ASIENTO CONDOC SKY	DRIVE SEAT SKY	SIEGE CHOFFEUR SKY	
	209137	1	ASIENTO CONDU TEJIDO	DRIVE SEAT FABRIC	SIEGE CHOFFEUR TISSU	
6	193940	1	ASIENTO TEJIDO	SEAT FABRIC	SIEGE TISSUE	
	201924	1	ASIENTO SKY	SEAT SKY	SIEGE SKY	
7	193941	1	RESPALDO TEJIDO	BACK FABRIC	DOSSIER TISSUE	
	201925	1	RESPALDO SKY	BACK SKY	DOSSIER SKY	
8	208043	1	GUIA	SUPPORT	SUPPOORT	
9	203041	1	GUIA	SUPPORT	SUPPOORT	
10	181197	4	TUEFCA	NUT	ECROU	
11	3075	4	ARANDELA	WASHER	RONDELLE	
12	78358	16	TORNILLO	BOLT	BOULON	
13	3074	16	ARANDELA	WASHER	RONDELLE	
14	3040	16	ARANDELA	WASHER	RONDELLE	
15	181184	16	TUEFCA	NUT	ECROU	
16	182101	4	TORNILLO	BOLT	BOULON	
17	2550	4	ARANDELA	WASHER	RONDELLE	
18	3075	4	ARANDELA	WASHER	RONDELLE	

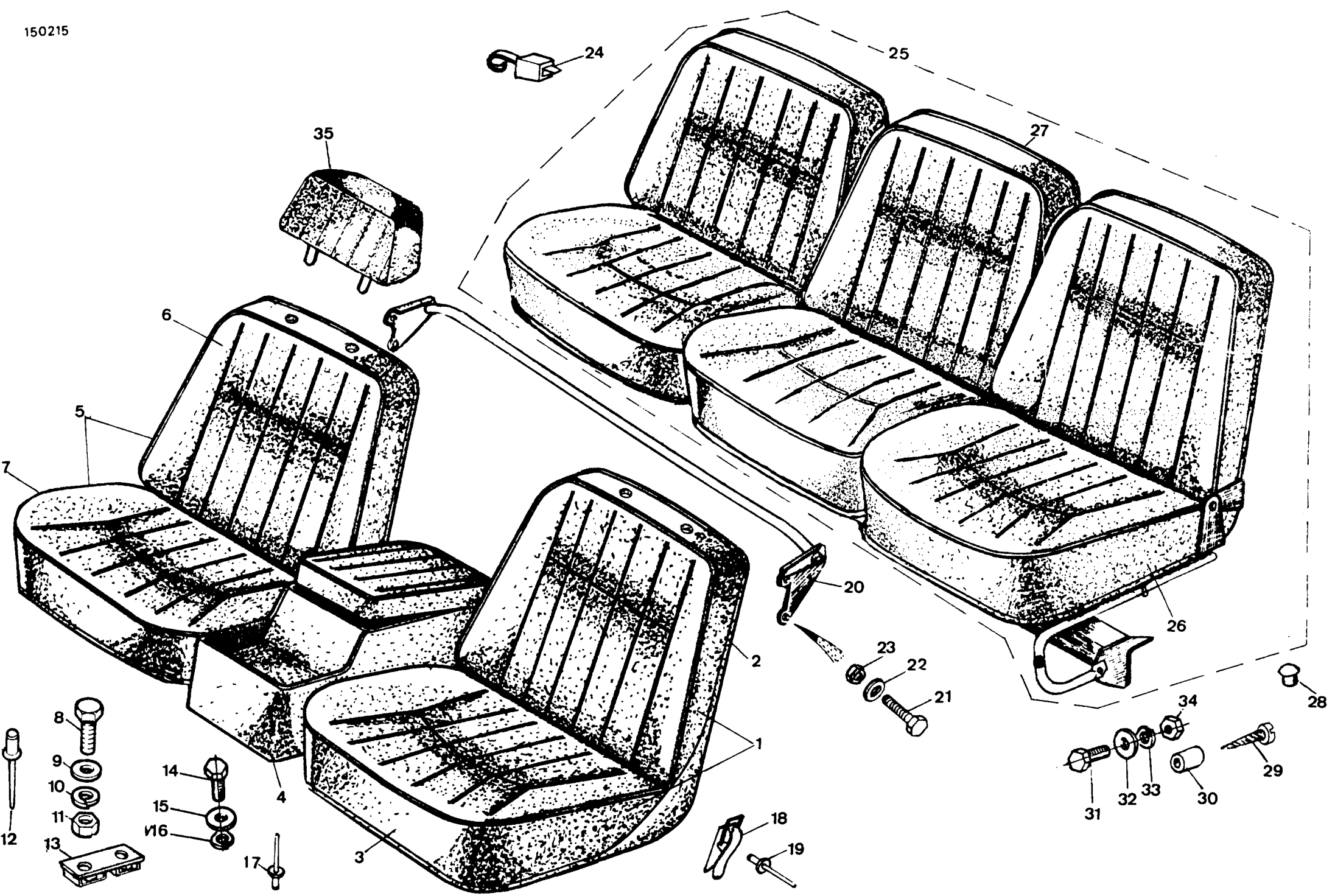


PUBLICACION N 880013
EDICION N 1

GRUPO=15 TAPICERIA
GRUPE=15 TRIM
GROUPE=15 GARNITURE

SUBGRUPO=ASIENTOS 88 LIG
SUBGROUP=SEATS 88 LIG
SUBGROUPE=SIGES 88 LIG

N.FIG	N.PIEZA	CAN	DENOMINACION	DESCRIPTION	DENOMINATION	C H A S I S
PLATE	PARTNUMBER	QTY				
N.FIG	N.PIECE	OUT				
1	206179	1	CON ASIENTO TEJIDO	SEAT ASSY FABRIC	ENS SIEGE TISSU	
2	194453	1	RESPALDO	BACK	DOSSIER	
3	194454	1	ASIENTO	SEAT	SIEGE	
4	207819	1	CAJA	BOX	BOITE	
5	206180	1	CONJ ASIENTO TEJIDO	SEAT ASSY FAERIC	ENS SIEGE TISSU	
6	194451	1	RESPALDO	BACK	DOSSIER	
7	194452	1	ASIENTO	SEAT	SIEGE	
8	202801	2	APOYACABEZAS TEJIDO	SEATINGS FABRIC	APPUI TETE TISSU	
9	307220	4	TAPON	PLUG	BOUCHON	
10	182112	4	TORNILLO	BOLT	BOULON	
11	3821	4	ARANDELA	WASHER	RONDELLE	
12	302373	4	ARANDELA	WASHER	RONDELLE	
13	78899	4	TUERCA	NUT	ECROU	
14	78358	16	TORNILLO	BOLT	BOULON	
15	3840	12	ARANDELA	WASHER	RONDELLE	
16	3074	12	ARANDELA	WASHER	RONDELLE	
17	181184	12	TUERCA	NUT	ECROU	
18	208386	2	PLACA CON TUERCAS	PLATE WITH NUTS	PLAQUE AVEC ECROUS	
19	180201	4	TORNILLO	BOLT	BOULON	
20	3016	4	ARANDELA	WASHER	RONDELLE	
	3098	4	ARANDELA	WASHER	RONDELLE	
21	78207	4	TUERCA	NUT	ECROU	
22	201041	2	CIERRE	CLOSING	APRET	
23	78248	4	REMACHE	RIVET	RIVET	

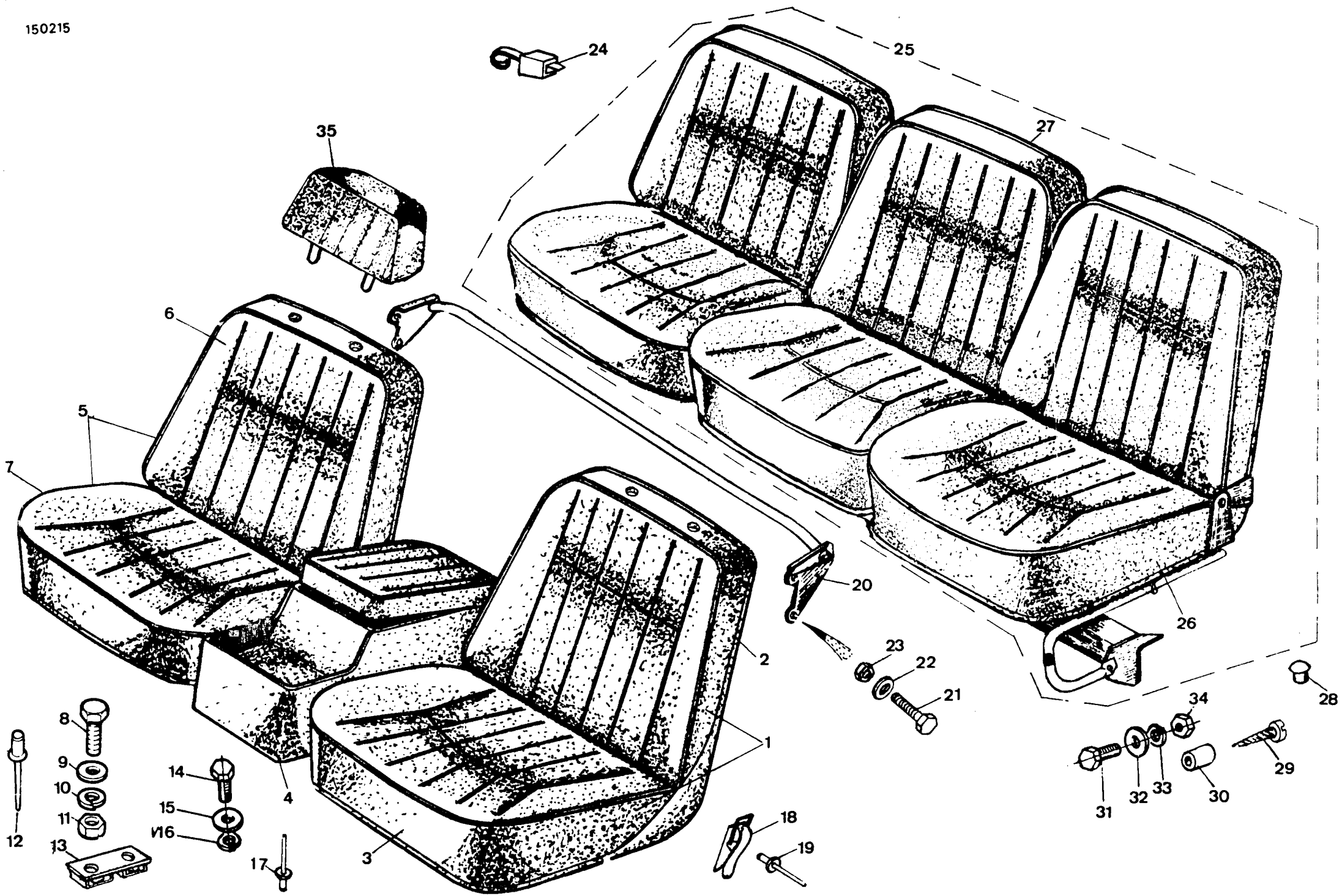


PUBLICACION N 880013
EDICION 1 1

GRUPO=15 TAPICERIA
GROUP=15 TRIM
GROUPE=15 GARNITURE

SUBGRUPO=ASIENTOS SUPER CAZOR
SUBGROUP=SEATS SUPER CAZORLA
SUBGROUPE=SEGES SUPER CAZORLA

N.FIG	N.PIEZA	CAN	DEFNOMINACION	DESCRIPTION	DENOMINATION	C H A S I S
PLATE	PARTNUMBER	QTY				
N.FIG	N.PIECE	OUT				
1	206179	1	CONJ ASIENTO TEJIDO	SEAT ASSY FABRIC	ENS SIEGE TISSU	
2	194453	1	RESPALDO	BACK	DOSSIER	
3	194454	1	ASIENTO	SEAT	SIEGE	
4	209634	1	CAJA	BOX	BOITE	
5	206181	1	CONJ ASIENTO TEJIDO	SEAT ASSY FABRIC	ENS SIEGE TISSU	
6	194451	1	RESPALDO	BACK	DOSSIER	
7	194452	1	ASIENTO	SEAT	SIEGE	
8	78358	12	TORNILLO	BOLT	BOULON	
9	3240	4	ARANDELA	WASHER	RONDELLE	
10	3074	4	ARANDELA	WASHER	RONDELLE	
11	181184	4	TUERCA	NUT	ECROU	
12	78248	4	REMACHE	RIVET	RIVET	
13	208386	6	PLACA CON TUERCAS	PLATE WITH NUTS	PLAQUE AVEC ECROUS	
14	78211	4	TORNILLO	BOLT	BOULON	
15	3240	4	ARANDELA	WASHER	RONDELLE	
16	3074	4	ARANDELA	WASHER	RONDELLE	
17	78248	4	REMACHE	RIVET	RIVET	
18	201241	2	CIERRE	CLOSING	APRET	
19	78248	4	REMACHE	RIVET	RIVET	
20	207838	1	ASIDERO	HAND REST	ANSE	
21	208226	4	TORNILLO	BOLT	BOULON	
22	3230	4	ARANDELA	WASHER	RONDELLE	
23	3078	4	ARANDELA	WASHER	RONDELLE	
24	193770	2	PESTILLO	SWITCH LUCK	FERROU	
25	209119	1	ASIENTO CENTRAL	CENTRE SEAT	SIEGE CENTRAL	
26	193946	3	ASIENTO	SEAT	SIEGE	
27	193945	3	RESPALDO	BACK	DOSSIER	
28	301347	2	REMACHE	RIVET	RIVET	
29	78121	2	TORNILLO	SCREW	VIS	
30	312027	2	TORNILLO	RUBBER	CAOUTCHOUC	
31	255209	8	TORNILLO	BOLT	BOULON	
32	3900	8	ARANDELA	WASHER	RONDELLE	
33	3074	8	ARANDELA	WASHER	RONDELLE	
34	181184	8	TUERCA	NUT	ECROU	



PUBLICACION N 890013
 EDICION N 1

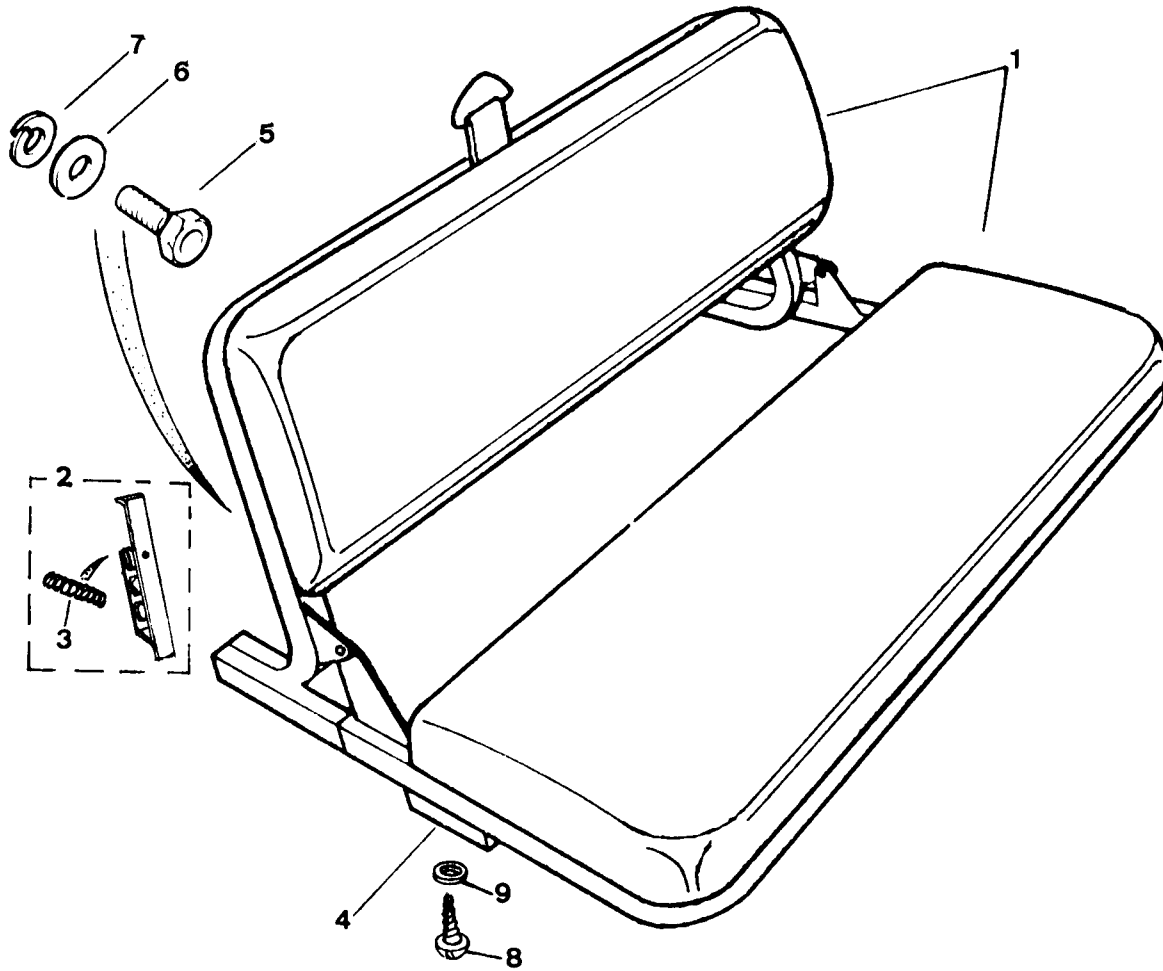
GRUPO=15 TAPICERIA
 GROUP=15 TRIM
 GROUPE=15 GARNITURE

SUBGRUPO=ASIENTOS SUPER CAZOR
 SUBGROUP=SEATS SUPER CAZORLA
 SUBGROUPE=SEGES SUPER CAZORLA

.....

N.FIG	N.PIEZA	CAN					
PLATE	PARTNUMBR	QTY					
N.FIG	N.PIECE	OUT	DENOMINACION	DESCRIPTION	DENOMINATION		C H A S I S
			-----				-----
35	202801	2	APOYACABEZAS TEJIDO	SEATINGS FABRIC	APPUI TETE TISSU		

191724
150301

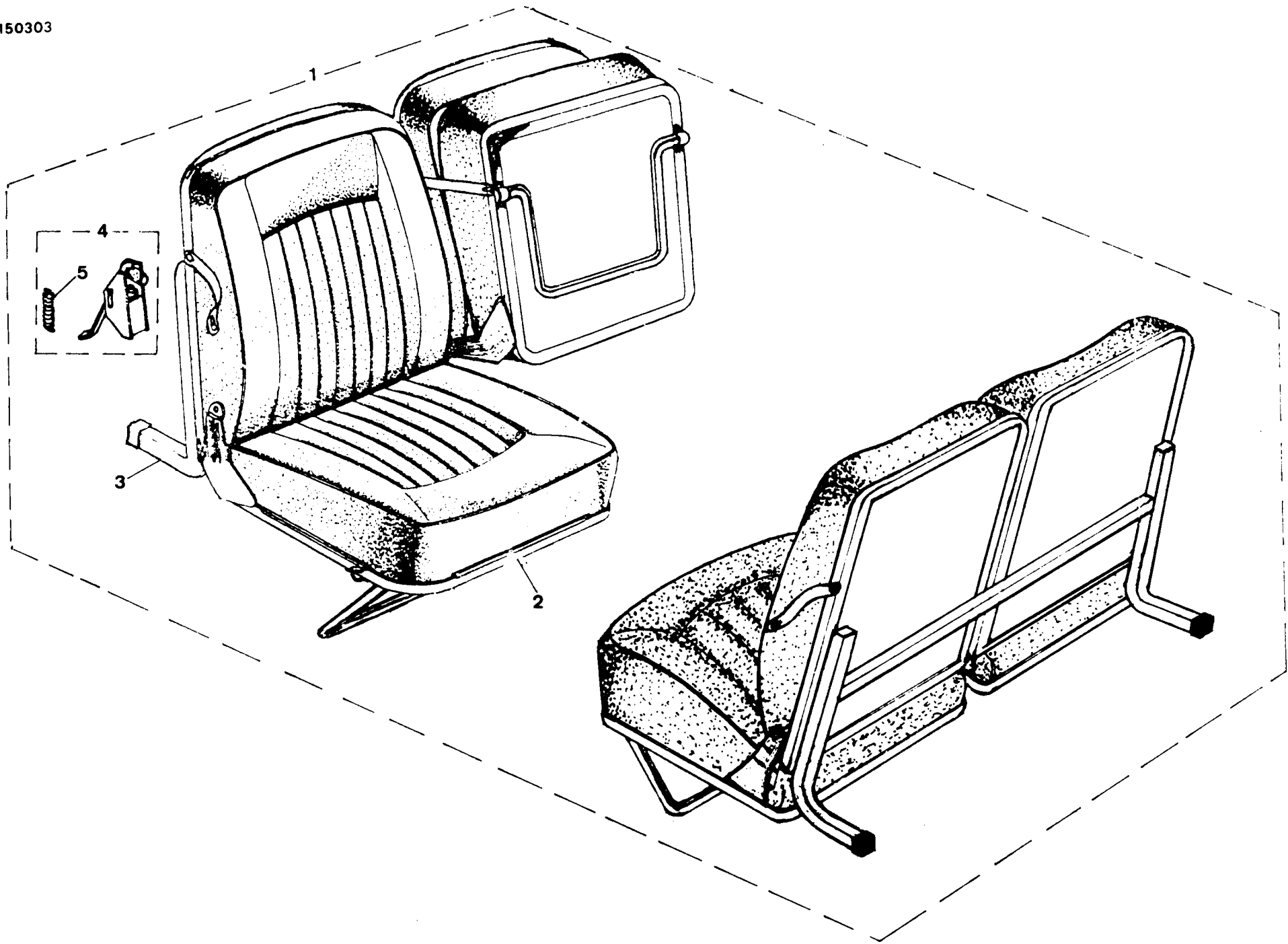


PUBLICACION N 980013
EDICION N 1

GRUPO=15 TAPICERIA
GROUP=15 TRIM
GROUPE=15 GARNITURE

SUBGRUPO=ASIENTOS LATERALES
SUBGROUP=SIDE SEATS
SUBGROUPE=SEGES LATERALES

N.FIG	N.PIEZA	CAN	DENOMINACION	DESCRIPTION	DENOMINATION	C H A S I S
PLATE	PARTNUMBER	QTY				
N.FIG	N.PIECE	OUT				
	191724	1	CON ASIENTOS CORRIDO	EXPERT SEAT ASSY	ENS SIEGES COURU	
1	207072	1	ASIENTO L I	SEAT L H	SIEGE C G	
	207378	1	ASIENTO L D	SEAT R H	SIEGE C D	
2	207337	4	CIERRE	CLOSING	APRET	
3	193673	4	MUELLE	SPRING	RESSORT	
4	330419	6	GOMA	RUBBER	CAOUTCHOUC	
5	259145	4	TORNILLO	BOLT	BOULON	
6	180426	12	ARANDELA	WASHER	RONDELLE	
7	2251	4	ARANDELA	WASHER	RONDELLE	
8	78137	12	TORNILLO	SCREW	VIS	
9	851317	12	ARANDELA	WASHER	RONDELLE	

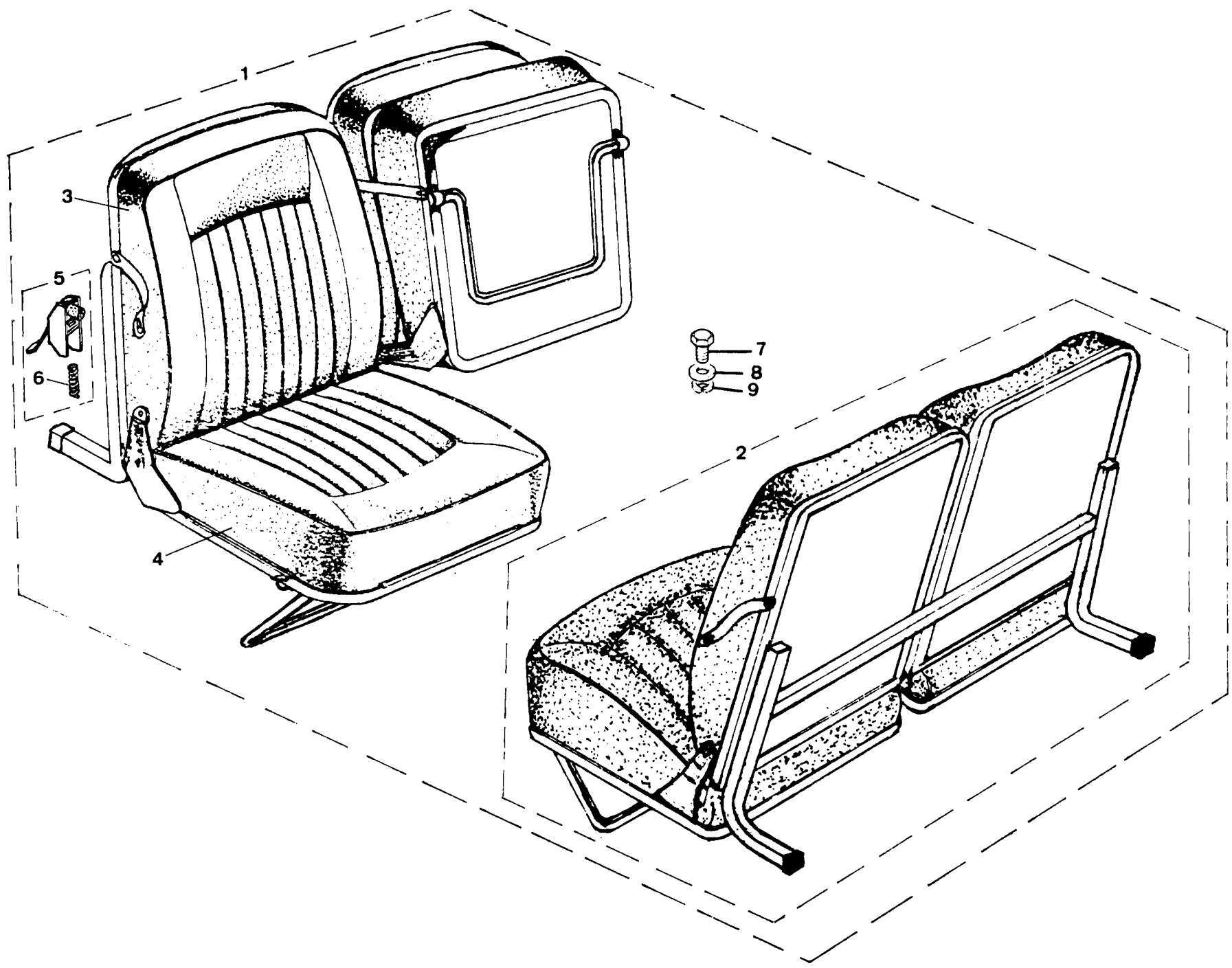


PUBLICACION N 880013
EDICION N 1

GRUPO=15 TAPICERIA
GROUP=15 TRIM
GROUPE=15 GARNITURE

SUBGRUPO=ASIENTOS ESP SUP CAZ
SUBGROUP=SIDE SEA SPE SUP CAZ
SUBGROUPE=SEGES L SPE SUP CAZ

N.FIG	N.PIEZA	CAN	DENOMINACION	DESCRIPTION	DENOMINACION	C H A S I S
PLATE	PARTNUMBER	QTY				
N.FIG	N.PIECE	OUT				
1	198094	1	ASIENTO INDIVIDUA 88	INDIVIDUAL SEAT 88	SIEGE INDIVIDUEL 88	
	198095	1	ASIENTO INDIVIDUA 109	INDIVIDUAL SEAT 109	SIEGE INDIVIDUEL 109	
3	207397	1	SOPORTE L I 88	SUPPORT L H 88	SUPPORT C G 88	
	207398	1	SOPORTE L D 88	SUPPORT R H 88	SUPPORT C D 88	
	207399	1	SOPORTE L I 109	SUPPORT L H 109	SUPPORT C G 109	
	207400	1	SOPORTE L D 109	SUPPORT R H 109	SUPPORT C D 109	
4	207337	4	CIERRE	CLOSING	ARRET	
	206256	2	ASIENTO 38	SEAT 88	SIEGE 88	
5	193673	4	MUELLE	SPRING	RESSORT	



PUBLICACION N 880013
EDICION N 1

GRUPO=15 TAPICERIA
GROUP=15 TRIM
GROUPE=15 GARNITURE

SUBGRUPO=ASIENTOS LATER 88LIG
SUBGROUP=SIDE SEATS 88 LIG
SUBGROUPE=SEGES LATERA 88 LIG

N.FIG	N.PIEZA	CAN	DENOMINACION	DESCRIPTION	DENOMINATION	C H A S I S
PLATE	PARTNUMBER	QTY				
N.FIG	N.PIECE	OUT				
1	198347	1	JUEGO ASIENTOS	SEATS KIT	JEU DE SIEGES	
2	209013	2	CONJ ASIENTO	SEAT ASSY	ENSEMBLE SIEGE	
3	201927	4	RESPALDO	BACK	DOSSIER	
4	201928	4	ASIENTO	SEAT	SIEGE	
5	207337	4	CIERRE	CLOSING	APRET	
6	193073	4	MUELLE	SPRING	RESSORT	
7	255245	8	TORNILLO	SCREW	VIS	
8	2251	8	ARANDELA	WASHER	RONDELLE	
9	182426	8	ARANDELA	WASHER	RONDELLE	