

FREE WHEELING HUBS

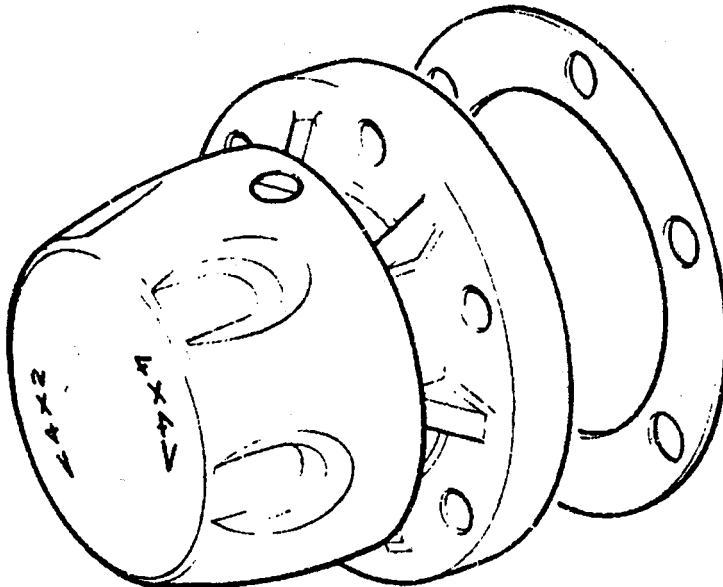
Kit Part Nos. RTC 8021 and RTC 8022

for the

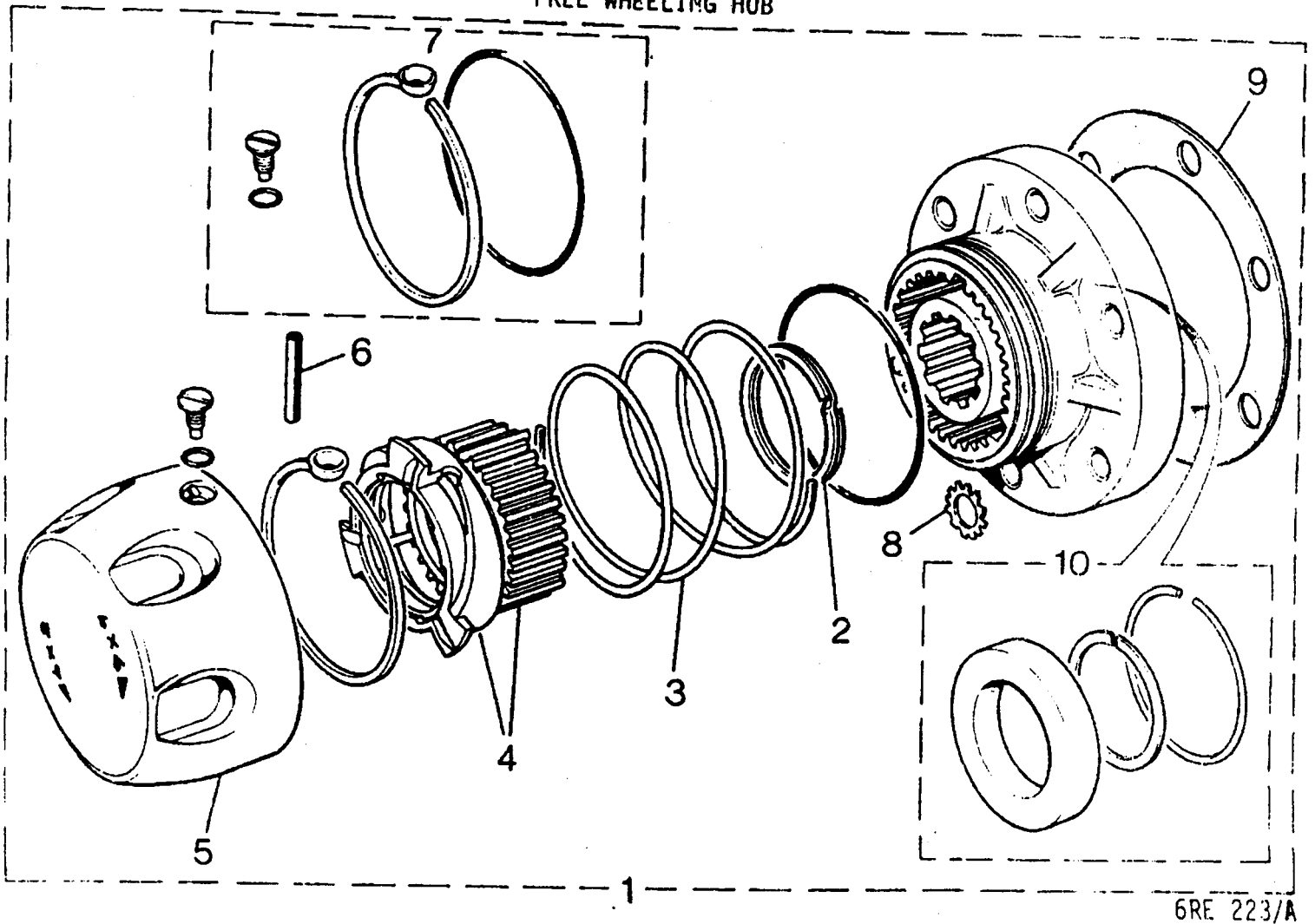
LAND-ROVER

Series IIA

Series III



FREE WHEELING HUB

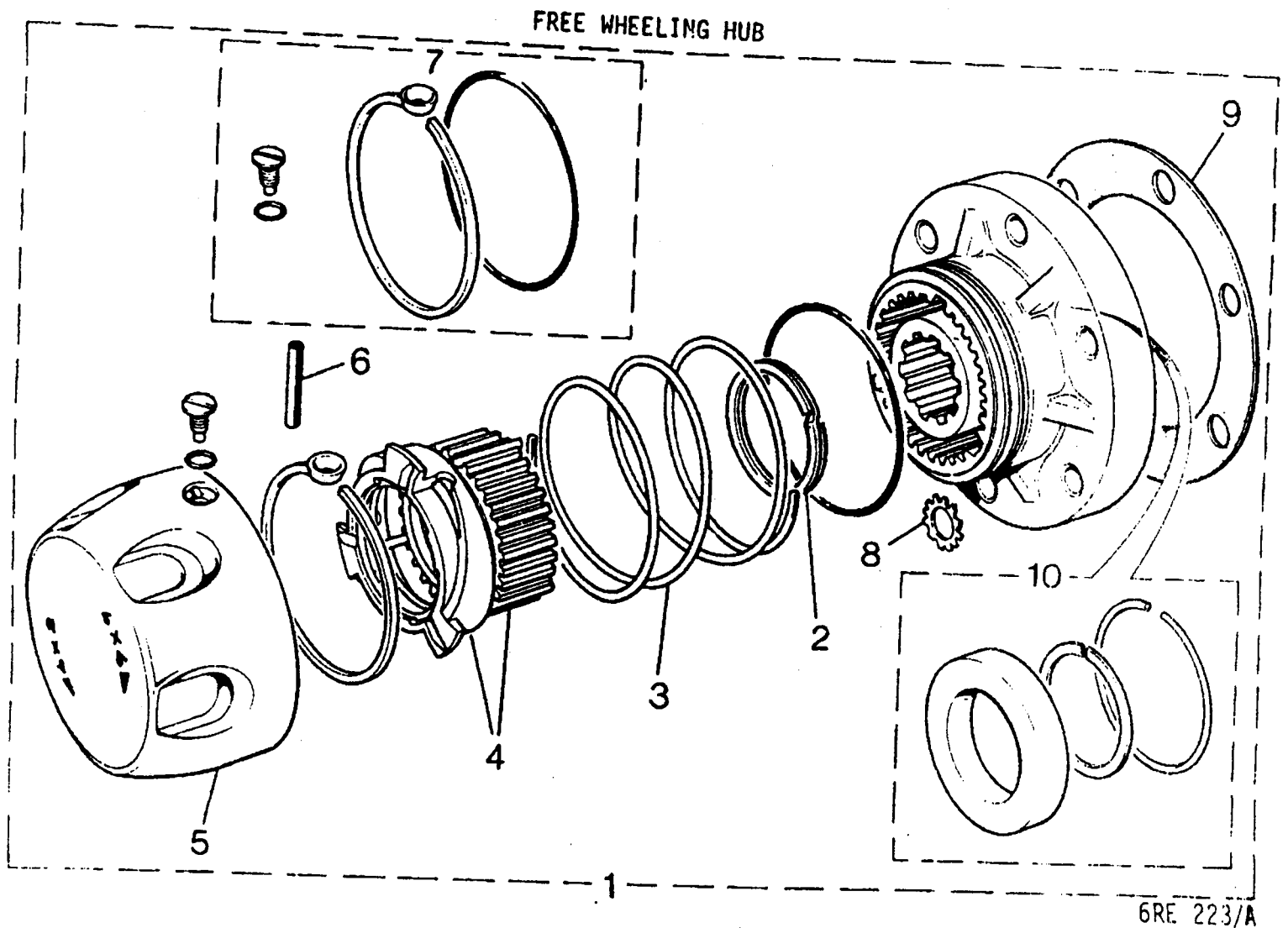


PARTS LIST

Plate Ref	Description	Qty	Part No	Remarks
1	Free wheeling hub kit Series IIA-III 88" IIA 109"	1	RTC8021	For 88" models comprising two complete installations.
	Free wheeling hub kit Series III 109"	1	RTC8022	For 109" models comprising two complete installations.
2	Spirolox ring	2	556445	109" only
3	Main spring	2	RTC7131	
4	Actuator assembly	2	RTC7132	
5	Hub cover	2	RTC7133	
6	Roll pin	2	RTC7134	88" only
7	Roll pin	2	RTC7135	109" only
8	Service kit	2	RTC7136	
9	Shakeproof washer	12	WE110001	
9	Gasket	2	GFG106	
10	Bearing kit	2	RTC7137	

Note: Parts not carrying a plate reference are N.S.S. (not supplied separately)

Encloses parts which form an assembly or kit.



PARTS LIST

Plate Ref	Description	Qty	Part No	Remarks
1	Free wheeling hub kit Series IIA-III 88" IIA 109"	1	RTC8021	For 88" models comprising two complete installations.
	Free wheeling hub kit Series III 109"	1	RTC8022	For 109" models comprising two complete installations. 109" only
2	Spirolox ring	2	556445	
3	Main spring	2	RTC7131	
4	Actuator assembly	2	RTC7132	
5	Hub cover	2	RTC7133	
6	Roll pin	2	RTC7133	
	Roll pin	2	RTC7134	88" only
7	Service kit	2	RTC7135	109" only
8	Shakeproof washer	2	RTC7136	
9	Gasket	12	WE110001	
10	Bearing kit	2	GFG106	
		2	RTC7137	

Note: Parts not carrying a plate reference are U.S.S. (not supplied separately)

Encloses parts which form an assembly or kit.

FITTING INSTRUCTIONS

Hub driving member

